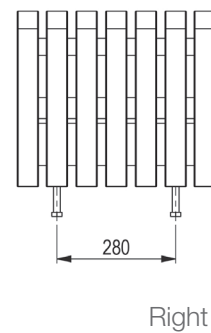
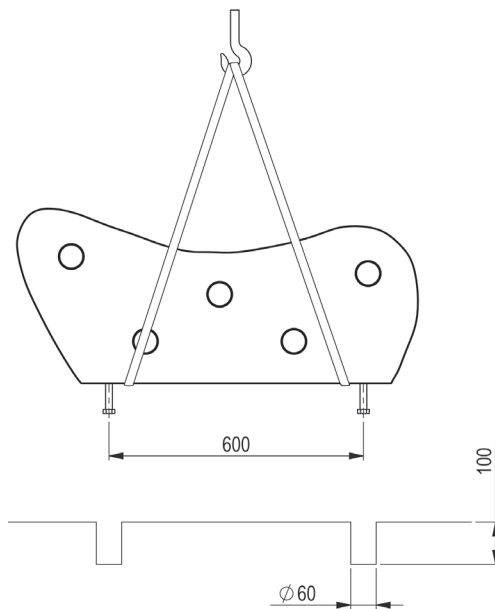
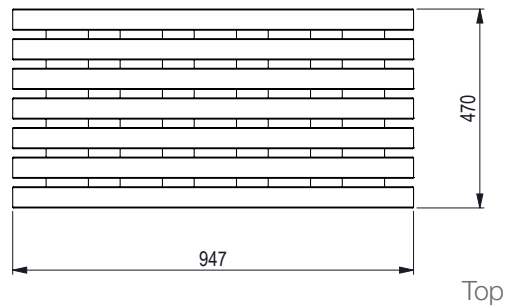
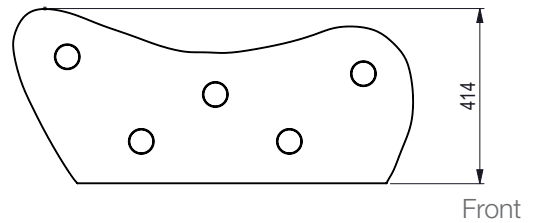
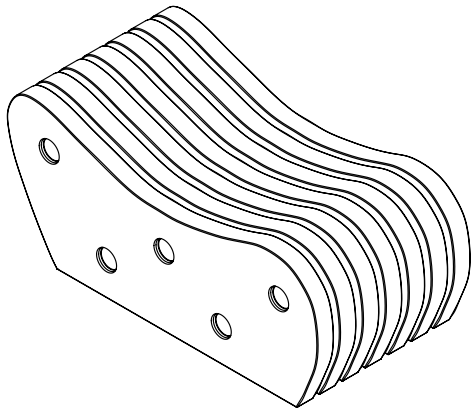


# ALTAMIRA COLLECTION

## MODEL 3



Screw 4 M16x140 Bolts halfway in.  
Drill pavement and fill with resin or fat mortar.  
Place and center the bench.

